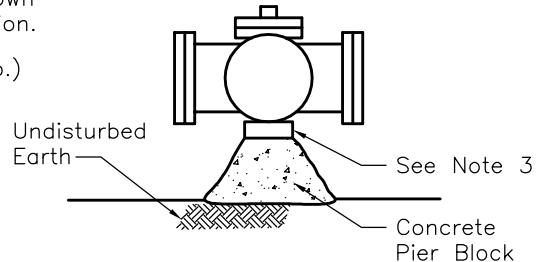
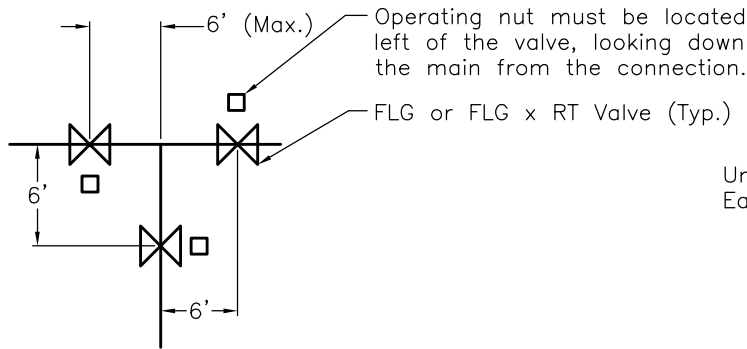




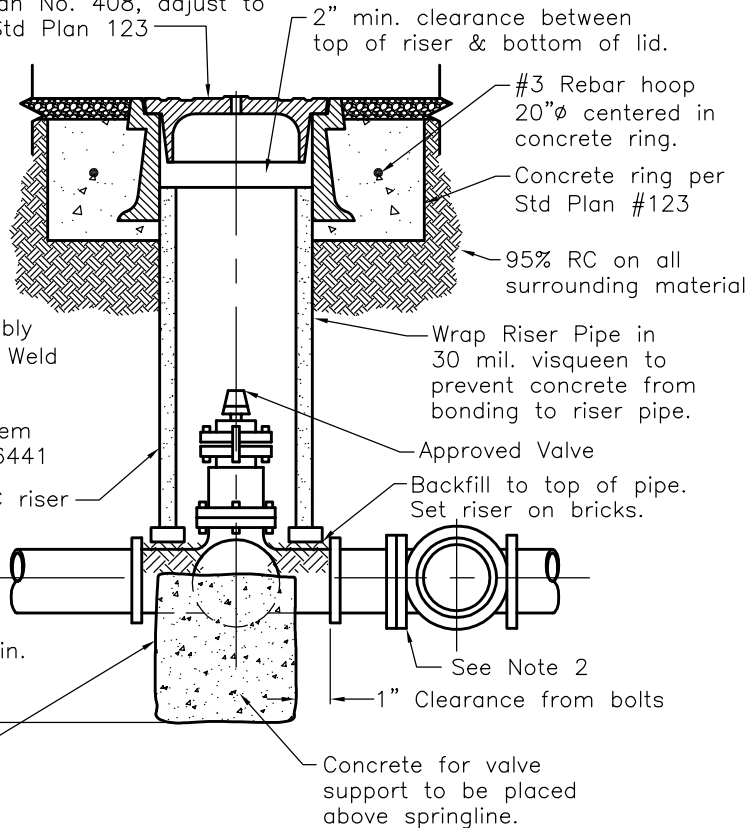
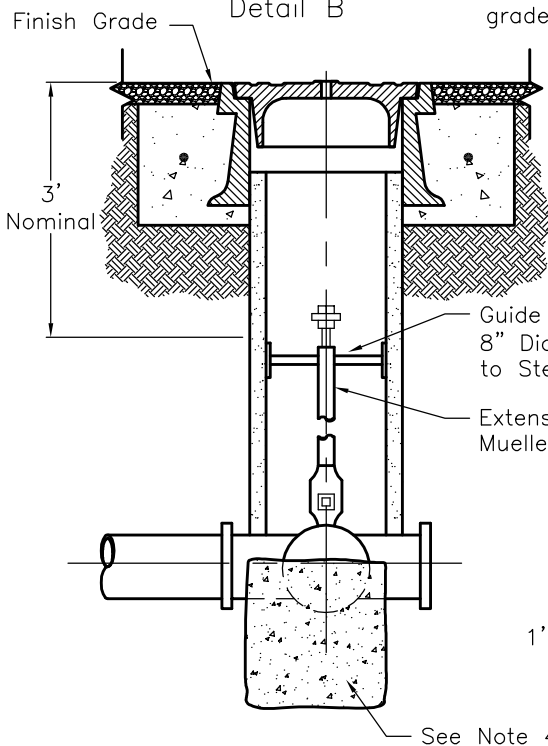
# CITY OF LODI

PUBLIC WORKS DEPARTMENT

## Water Valve Installation



Frame and Cover City of Lodi Standard Plan No. 408, adjust to grade per Std Plan 123



**Notes:**

1. Install extension stem when distance from valve cover to operating nut is greater than 12 feet; 3' max. nominal cover per Detail A.
2. Flanged fittings shall be used where lines are to be extended at a later date or as shown on the improvement plans. Operating nuts on flanged valves must be arranged per Detail B.
3. Concrete blocks may be used for valve and riser support; thrust blocks per Standard Plan 405. For Hot Tap Valve support refer to Detail C.
4. Place Visqueen around valves before placement of concrete supports.
5. For trench backfill, see Standard Plan 501.

Sheet 1 of 2

Dr.	KT	No.	Date	Revision	Appr.	Approved By:	
Ch.	WS					<i>F. Wally Sandelin</i>	5/28/08
Date	7/08					F. Wally Sandelin City Engineer R.C.E. 39895	Date

STD PLAN

402



# CITY OF LODI

PUBLIC WORKS DEPARTMENT

## Water Valve Installation Materials List

All Water Valves & Materials shall be Class 150B with 2" square operating nuts, open left (clockwise to close) and shall conform to AWWA Standard C-504 for Rubber Seated Butterfly Valves and City of Lodi Construction Specs 6-7602.

AWWA Approved Valves:

- Mueller RS and Butterfly
- M+H/Clow/Kennedy RS and Butterfly
- American Darling RS Gate valves
- Waterous RS Gate valve
- AVK RS Gate valves

Sheet 2 of 2

Dr.	No.	Date	Revision	Appr.	Approved By:	Date	STD PLAN
KT					<i>F. Wally Sargelin</i>	12/28/00	402
Ch.					F. Wally Sargelin		
Date					R.C.E. 39895		